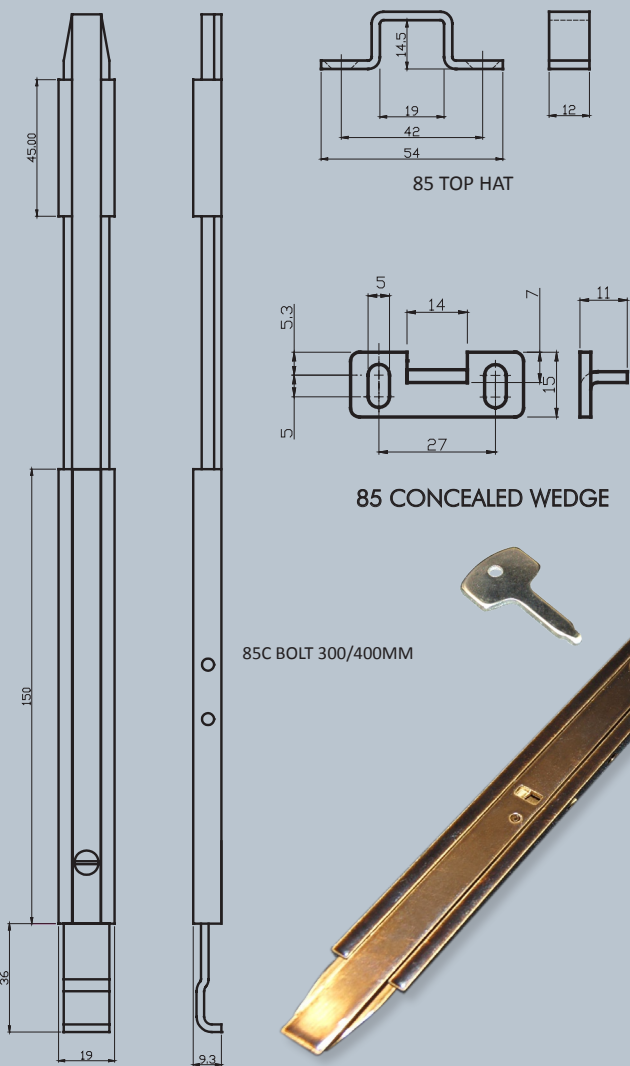


Introducing the B85C and B85F Lock Bolts

A unique key lockable all in one bolt for both locking or non locking applications

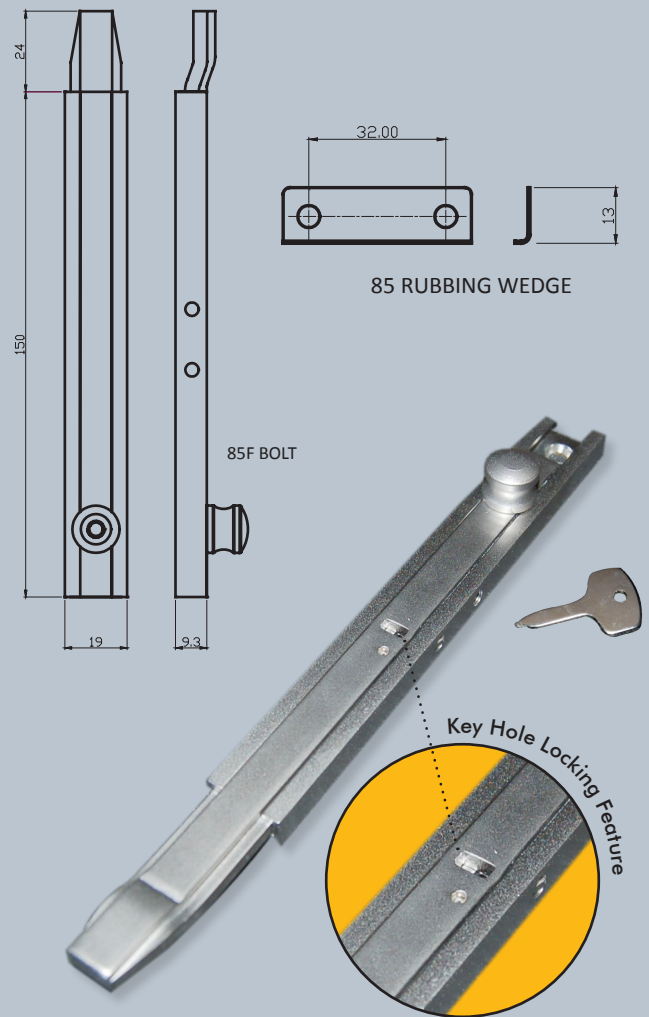
B85C Lock Bolt (Concealed)

The Concealed bolt is supplied with two wedges - an adjustable concealed wedge for such applications and a Top Hat wedge for face mounting the bolt for an open in door. Available now in 3 different sizes and finishes.



B85F Lock Bolt (Cranked)

The Flush bolt is supplied with a rubbing wedge for open out applications. The bolt has a Pull-Down knob. Available now in 3 different sizes and finishes.



Product codes	Standard Sizes	Finishes
B0085C15001RB	150mm	RB
B0085C150001RD	150mm	RTD
B0085C150001SC	150mm	SCP
B0085C300001RB	300mm	RB
B0085C300001RD	300mm	RTD
B0085C300001SC	300mm	SCP
B0085C450001RB	450mm	RB
B0085C450001RD	450mm	RTD
B0085C450001SC	450mm	SCP

Product codes	Standard Sizes	Finishes
B0085F15001RB	150mm	RB
B0085F150001RD	150mm	RTD
B0085F150001SC	150mm	SCP
B0085F300001RB	300mm	RB
B0085F300001RD	300mm	RTD
B0085F300001SC	300mm	SCP
B0085F450001RB	450mm	RB
B0085F450001RD	450mm	RTD
B0085F450001SC	450mm	SCP